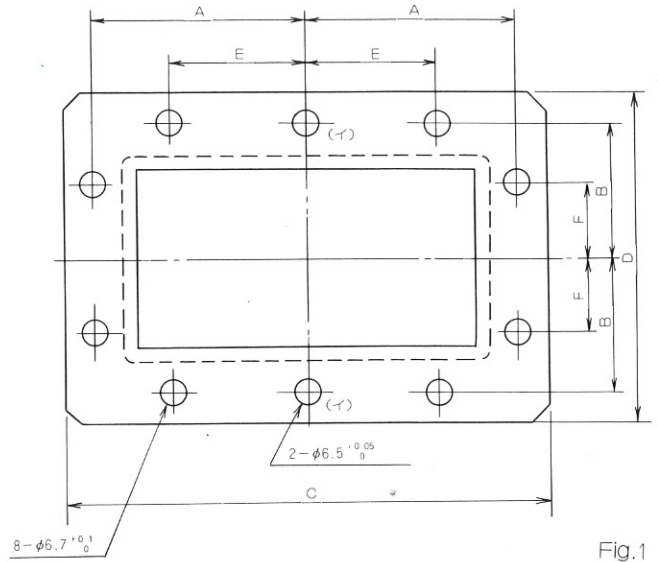
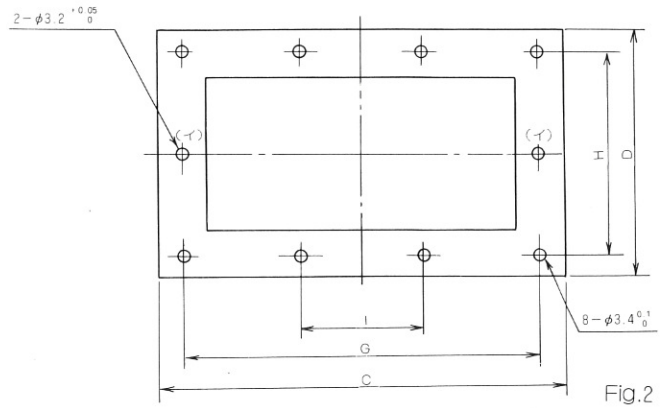


# Table of Rectangular Waveguide Flange Dimensions

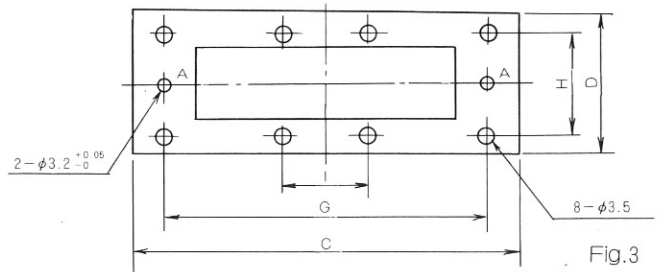
Model	A	B	C	D	E	F	Figure (Example)
BRJ-2	71	43.69	161	106.5	45.39	23.83	Fig.1



Model	C	D	G	H	I	Figure (Example)
BRJ-3	100	60	88	50	30	Fig.2
BRJ-4	90	60	76	47	20	Fig.2

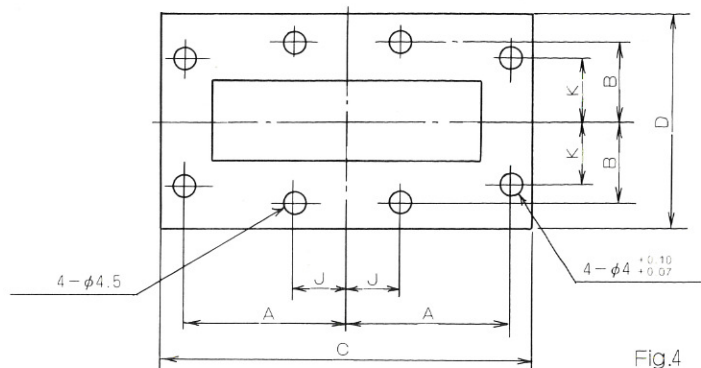


Model	C	D	G	H	I	Figure (Example)
BRJ-4 (thin)	90	40	76	28	20	Fig.3

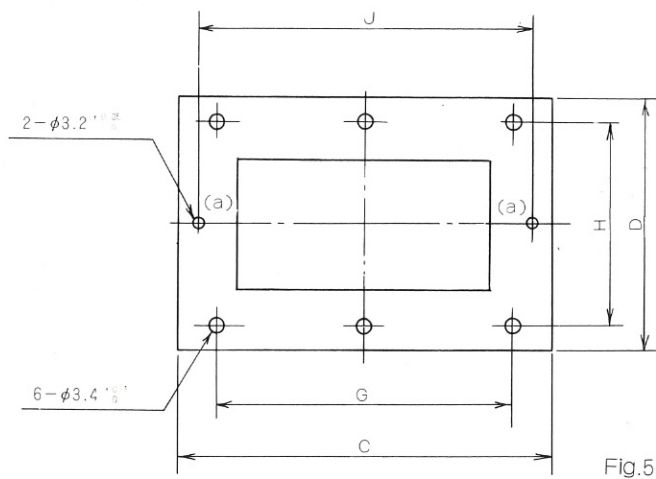


# Table of Rectangular Waveguide Flange Dimensions

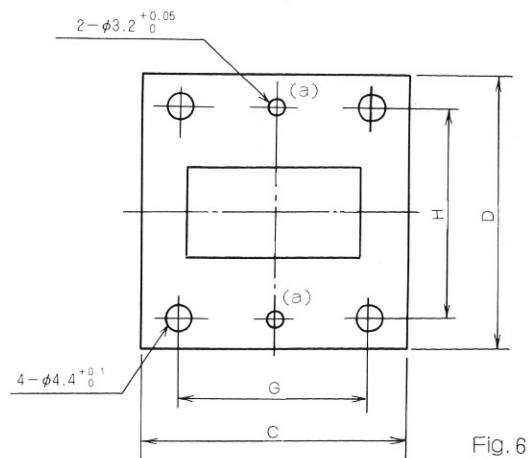
Model	A	B	C	D	J	K	Figure (Example)
FUGM 48	$\pm 0.025$ 30.86	$\pm 0.025$ 15	70.5	40	$\pm 0.025$ 10.29	$\pm 0.025$ 11.89	Fig.4



Model	C	D	G	H	J	Figure (Example)
BRJ -5	74	50	58	40	66	Fig.5
BRJ -6	70	50	52	38	58	Fig.5
BRJ -7	70	50	50	36	56	Fig.5



Model	C	D	G	H	Figure (Example)
BRJ -9	48	48	34.4	37.4	Fig.6
BRJ 10	42	42	31	32.5	Fig.6



# Table of Rectangular Waveguide Flange Dimensions

Model	A	B	C	D	d	Figure (Example)
BRJ-120	13.21 ±0.025	14.25 ±0.025	38	38	4 <sup>+0.12</sup> / <sub>+0.07</sub>	Fig.7
BRJ-140	12.625 ±0.025	12.14 ±0.025	33.5	33.5	4 <sup>+0.12</sup> / <sub>+0.07</sub>	Fig.7
FUBR180	10.285 ±0.025	11.25 ±0.025	30.5	30.5	4 <sup>+0.10</sup> / <sub>+0.07</sub>	Fig.7
FUBR220	8.13 ±0.02	8.51 ±0.02	22.4	22.4	3 <sup>+0.085</sup> / <sub>+0.060</sub>	Fig.7
FUBR260	7.495 ±0.02	7.875 ±0.02	21.5	21.5	3 <sup>+0.085</sup> / <sub>+0.060</sub>	Fig.7
FUBR320	6.35 ±0.02	6.73 ±0.02	19.1	19.1	3 <sup>+0.085</sup> / <sub>+0.060</sub>	Fig.7

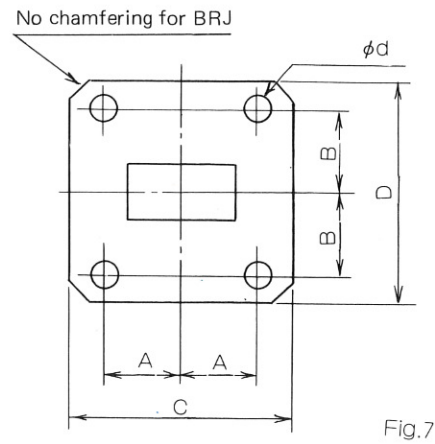


Fig.7

Model	A	B	C	D	E	d	Figure (Example)
BRJ-40	10.5	15.5	20 ±0.04	24.5	28	2.6 <sup>+0.06</sup> / <sub>+0.02</sub>	Fig.8
BRJ-50	10.5	15.5	20 ±0.04	24.5	28	2.6 <sup>+0.06</sup> / <sub>+0.02</sub>	Fig.8
BRJ-60	10.5	15.5	20 ±0.02	24.5	28	2.6 <sup>+0.014</sup> / <sub>0</sub>	Fig.8
BRJ-75	10.5	15.5	20 ±0.02	24.5	28	2.6 <sup>+0.014</sup> / <sub>0</sub>	Fig.8
BRJ-95	10.5	15.5	20 ±0.02	24.5	28	2.6 <sup>+0.014</sup> / <sub>0</sub>	Fig.8

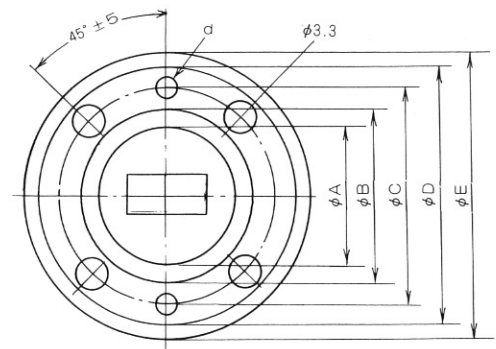


Fig.8

Model	A	B	Figure (Example)
SPC-1200	14.29	19	Fig.9
SPC-1400			
SPC-1800			
SPC-2200			
SPC-2600			

Note: UG-387/U (MIL Standard): Compatible with flange.

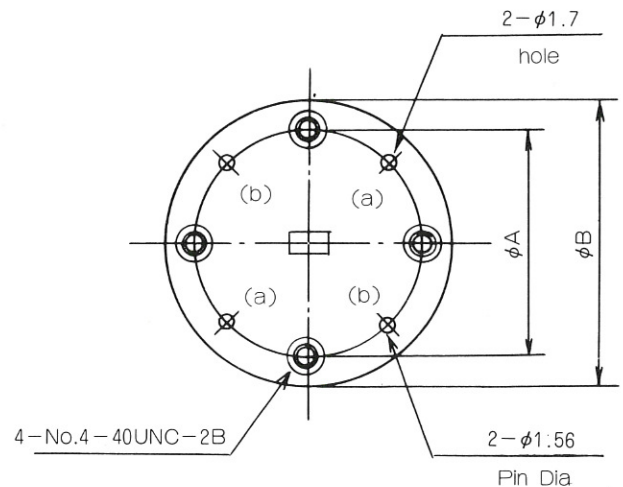


Fig.9